



PRODUCT INFORMATION

AIR LEAK TESTER



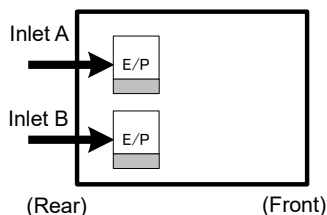
LS-R912 Switching of two test pressures

LS-R912, designed based on LS-R902, features a function to switch between two test pressure circuits. Select the combination of two test pressures (Inlet A and Inlet B) according to your needs. Up to 2 E/P Regulators can be installed inside.

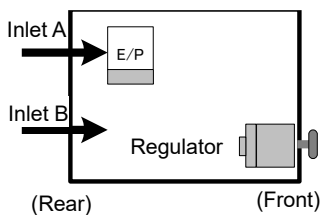
Examples of pressure combinations

* E/P: E/P Regulator

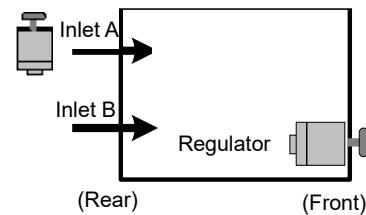
< 2 E/P Regulators installed inside >



< E/P Regulator & Precision Regulator installed inside >



< 2 Regulators >



Combinations of pressures

●: Combination

* Codes for E/P Regulator
MR: Medium Pressure
LR: Low Pressure
VR: Vacuum

		Inlet A								
		MR	LR	VR	M	L	L02	V	H20	H49
Inlet B	MR								●	●
	LR	●			●				●	●
	VR	●	●		●	●			●	●
	M				●				●	●
	L	●			●	●			●	●
	L02						●			
	V	●	●		●	●		●	●	●
	H20								●	●
	H49								●	●

* Two Pressure Sensors with the higher pressure will be installed.

Model

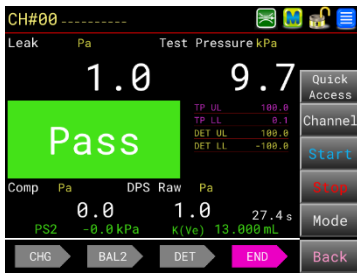
LS-R912-(1)(2)(3)(4)(5)

(1)	Pneumatic Circuit	A1: Intelligent 1 Pneumatic Circuit, A2: Intelligent 2 Pneumatic Circuit, AS01: Micro Volume Circuit, C: Secondary Pressure Circuit
(2)	Pressure Range (Inlet A)	E/P Regulator LR: 10 to 95 kPa, MR: 50 to 800 kPa, VR: -5 to -75 kPa
		Precision Regulator L02: 5 to 20 kPa, L: 10 to 100 kPa, M: 50 to 800 kPa, V: -5 to -100 kPa H20: 2.0 MPa or less *1, H49: 4.9 MPa or less *1
(3)	Pressure Range (Inlet B)	E/P Regulator LR: 10 to 95 kPa, VR: -5 to -75 kPa
		Precision Regulator L02: 5 to 20 kPa, L: 10 to 100 kPa, M: 50 to 800 kPa, V: -5 to -100 kPa H20: 2.0 MPa or less *1, H49: 4.9 MPa or less *1
(4)	Option	J: With CAL Driving Valve For Leak Master, K05: Come with ALC-05 (0.5 mL), K1: Come with ALC-1 (1 mL), K4: Come with ALC-4 (4 mL), K10: Come with ALC-10 (10 mL)
		B: Bypass Circuit Ready without Precision Regulator *2, D4: DPS Range: ±10 kPa
		Industrial Field Network Ethernet (Contact Cosmo)
(5)	Power Cord	VA: 125 VAC 3 m, VE: 250 VAC 2 m, VK: 250 VAC 2 m (Only for Chinese customers)

*1: H20 and H49 models come with no regulator. *2: B: Inlet B only

Features < LS-R912 Screens >

< Measure Screen (Standard) >



Language

English, Japanese, Chinese, Korean, German

< Inlet Select >



< Charge Hold >



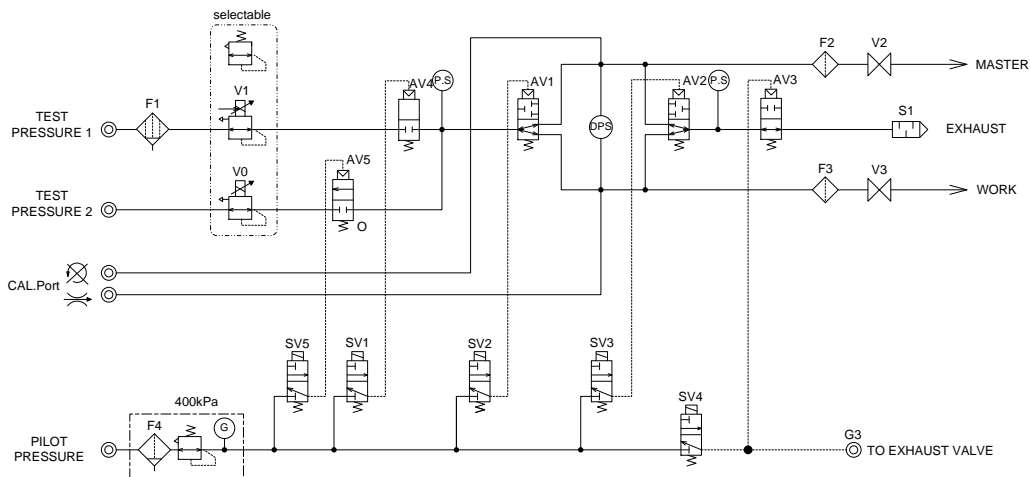
Test part (work) is also pressurized.



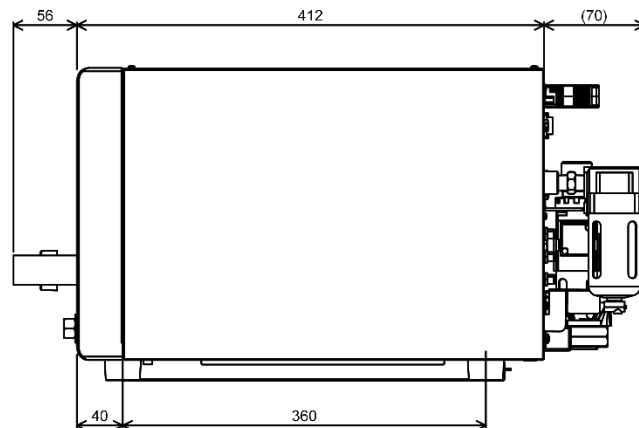
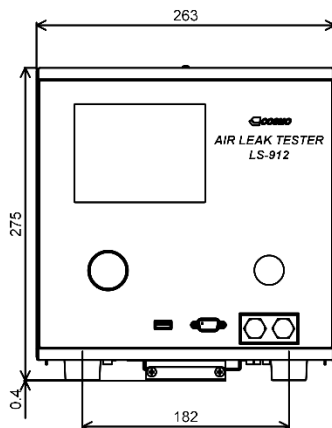
Test part (work) is not pressurized.
The test pressure can be adjusted without closing the Stop Valves.

Pneumatic Circuit

< Intelligent 2 Pneumatic Circuit (M Medium / L Low / V Vacuum) >



External Appearance



* The contents in this product information are as of June, 2021. The specifications are subject to change without prior notice.

Cosmo Instruments Co., Ltd.

2974-23 Ishikawa, Hachioji, Tokyo 192-0032 Japan

<http://www.cosmo-k.co.jp/>

Phone: +81-(0)42-642-1357 Fax: +81-(0)42-646-2439

China: Cosmo (Shanghai) Trading Co., Ltd.	+86-(0)21-6575-6880
Shanghai, Tianjin, Guangzhou, Chongqing, Changchun, and Wuhan	
Korea: Cosmo Korea Co., Ltd.	+82-(0)32-623-6961
Taiwan: Taiwan Cosmo Instruments Co., Ltd.	+886-(0)2-2707-3131
Malaysia: COSMOWAVE SDN.BHD.	+60-(0)3-51626677
Thailand: Cosmowave Technology Co., Ltd.	+66-(0)2-7361667
Indonesia: Pt. Cosmowave	+62-(0)21-42900043
Vietnam: Cosmowave Technology Co., Ltd. Vietnam Representative Office	+84-(0)47876085

India: Cosmo Instruments India Pvt. Ltd. Head Office	+91-(0)124-421-0946
Cosmo Instruments India Pvt. Ltd. South Zone Regional Office	+91-(0)9663384423
Cosmo Instruments India Pvt. Ltd. Pune - Chakan Office	+91-(0)20-6933-2345
Cosmo Instruments India Pvt. Ltd. - Chennai Office	+91-(0)9994364454
Germany: Cosmo EU Solutions Technology GmbH	+49-(0)212-383671-71
USA: Cosmo Solutions Technology, Inc.	+1-248-488-2580
Mexico: Cosmo De Mexico	+52 472 748 62 94
Brazil: Tex Equipamentos Eletronicos Ind. Com. Ltda.	+55-(0)11-4591-2825
Australia: Industrial Research Technology Pty. Ltd.	+61-(0)412-176-674