

PRODUCT INFORMATION

Extremely high Pressure Air Leak Tester









LS-R740 SH

LS-R740SH is a differential pressure sensor realizing highly sensitive leak test under super high pressure condition. Up to 16 MPa can be used for leak test.



Features

-  Easy-to-navigate and intuitive interface with simple menu configuration.
-  Waveform Display of Test pressure and Differential pressure.
-  Influence of noise generated in the test on the part can be compensated, reducing test time.

-  User selectable multi-language capability: English, Japanese and Chinese
-  USB Port for easy test data management
-  Closer placement of sensor section to the target capsule.

Specification

Differential Pressure	Resolution	1 Pa
	Display Range	±9.999 kPa, (Accuracy guaranteed range ±10 kPa)
	Reading Accuracy	±5% of rdg ±1 Pa, 500 Pa or lower: ±2 Pa
	Sensor Proof Pressure	20 MPa
Display Unit	Test Pressure	kPa, MPa (kg/cm ² , PSI, bar, mmHg, etc.)
	Leak	Pa, kPa, mL/s, mL/min, L/min, Pa m ³ /s, E-3 Pa m ³ /s, Pa/s, Pa/min, *Pa/s, *Pa/min (mmH ₂ O, mmHg, inH ₂ O, etc.)
	K(Ve) (Leak coefficient)	mL, L (in ³ , ft ³)
	Leak Display	4 digits Sampling rate: 10 times/s
	Leak Limit	Up to ±999.9 Pa
	Number of Channels	32 channels (#0 to #31)
	Timers	Up to 999.9 s (Resolution: 0.1 s)
	Power Source	100 to 240 VAC ±10% at 50/60 Hz, 70 VA max
	Ambient Temperature	5 to 45°C
	Humidity	80 %RH or less / No dew condensation
	Mass	Controller: Approx. 2.6 kg Pneumatic circuit unit: Approx. 15 kg

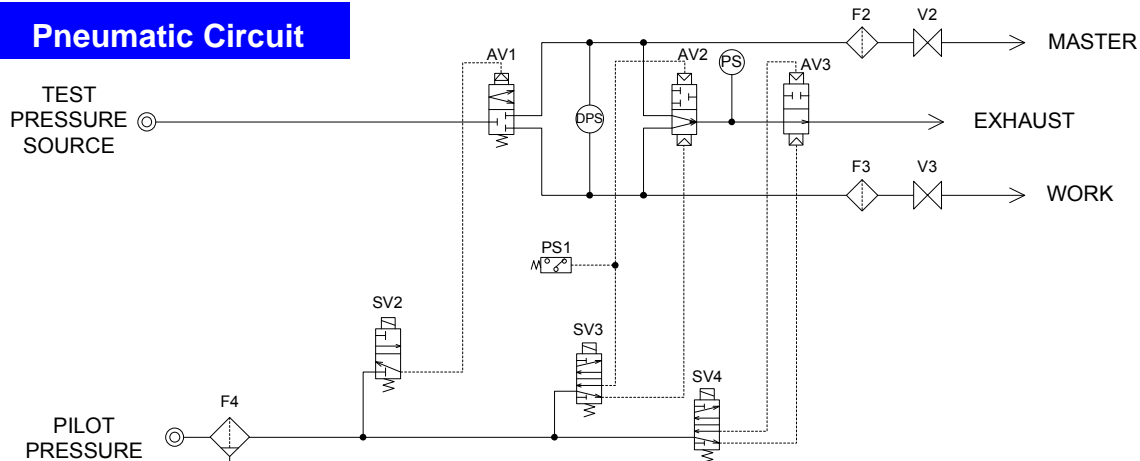
Test Pressure source	Clean air regulated to the test pressure. The source pressure must be sufficiently higher than the test pressure.	
Pilot Pressure	Set using the pilot pressure filter regulator installed. Range: 500 to 700 kPa	
Port Size	Pilot pressure source: Rc 1/4 Test pressure source: Swagelok ø6 mm (WORK and MASTER ports)	
CPU	SH-2A 144 MHz, DRAM8MB	
RS-232C (D-sub 9 pins)	I/F fixed length	Test parameters as well as test results are transmitted.
	T/F fixed length	Only test results are transmitted.
	Others	Special formats
USB Port	Test data	Judgment, Leak, Test pressure, Channel#, Timers, etc.
	Test parameter	Test parameters of all the settings screens
Standard Accessories	Pilot pressure filter regulator, Quick Mounting Brackets, Control I/O connector, Power cord, Inspection record, Operation manual CD, Traceability documents	

Model Classification

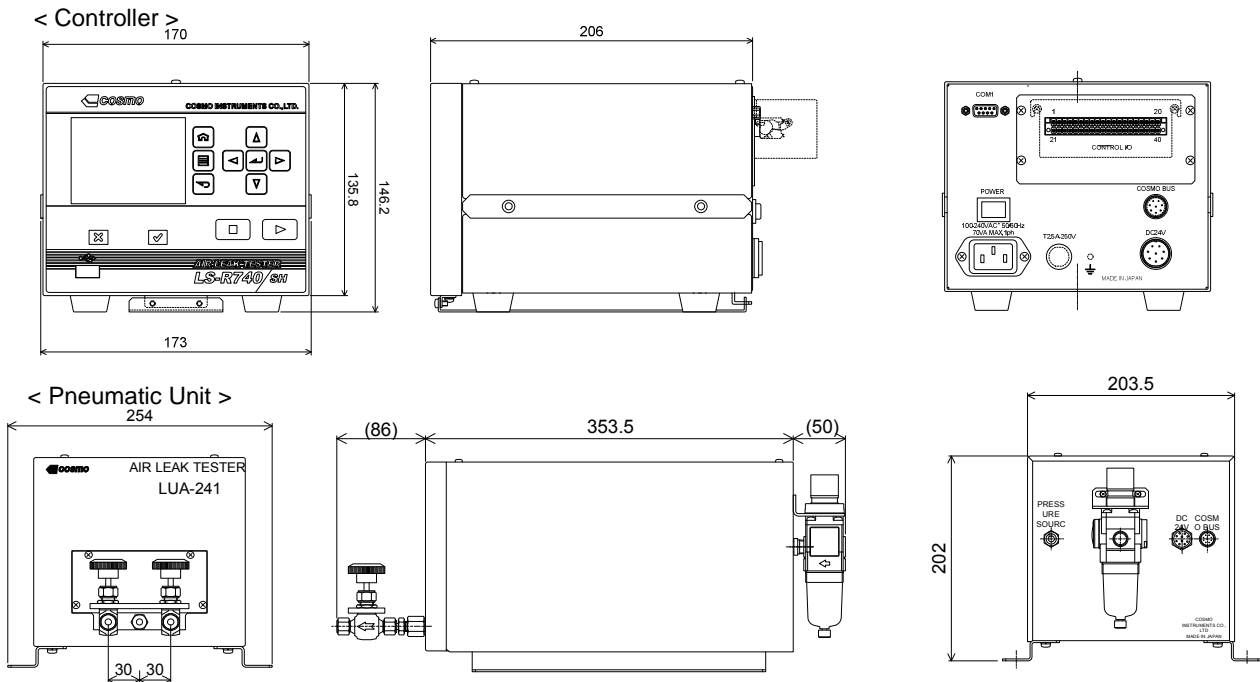
LS-R740SH-123

1	Test pressure	Super high pressure 10 MPa	H100	Test pressure range: 5.0 to 10.0 MPa (PS 10 MPa)
		Super high pressure 16 MPa	H160	Test pressure range: 5.0 to 16.0 MPa (PS 20 MPa)
2	Option	Nylon Filter Housing	RX02	Filter housing for the pilot pressure port is nylon.
		NPT Fittings	PX1	The screw of connecting port is NPT1/4
		Panel mount	P	The controller is designed to be panel-mounted.
3	Cable Length	Unit-to-unit cable 3 m	S3	Standard.
		Unit-to-unit cable 5 m	S5	Option.
		Unit-to-unit cable 10 m	S10	Option.

Pneumatic Circuit



External Appearance



* The content in this product information is as of May 2016. The specifications are subject to change without prior notice.

Cosmo Instruments Co., Ltd.

<http://www.cosmo-k.co.jp/>

Head Office:

2974-23 Ishikawa, Hachioji, Tokyo 192-0032
Phone: +81-(0)42-642-1357 Fax: +81-(0)42-646-2439

Overseas Contact:

China, Korea, Taiwan, Malaysia, Thailand, Indonesia
Vietnam, India, Germany, UK, USA, Mexico, Brazil, Australia